



CNRS – INPG – UJF

# CMP – Evatronix Partnership



Chapitre  
Français



Section  
France

# CMP

## 20 January 2011

# Evatronix Partnership

## Now offer at CMP with IP for design

Romain.verly@imag.fr



- **CMP is Distributor of Evatronix IP and Tools for Universities**

- **Routes to silicon**



CNRS – INPG – UJF

# IP catalogue



Chapitre  
Français



Section  
France

## A full range of products available from CMP

Microcontroller	8051
USB Device and OTG Controllers	SuperSpeed USB 3.0
Ethernet Media Access Controllers	10/100/1000 Mbps
Memory Controllers	SDIO-Host
Data communication	HDLC
Audio Transmission	I2S
Video Transmission	JPEG2000 Encoder
Serial Bus Interface	SPI
DSP and Numeric coprocessor	80386 / 68000

Research Laboratories and Universities are eligible for Academics prices for all Evatronix products, including Hardware and Software products.



<http://cmp.imag.fr/products/cad/?p=evatronix>



## Evatronix IP Cores

Evatronix develops electronic virtual components (IP cores) along with complementary software and supporting development environments. The company also provides electronic design services. Product lines cover a multitude of solution from interface controllers and microprocessors to integrated application platforms.

Together with CMP, Evatronix gives universities and research laboratories an opportunity to implement high quality Evatronix IP in their projects at a discounted price.

Please use the website for reference and contact Evatronix or CMP for further details.




[\[ Products | Pricing/Ordering | Deliverables and Support | Evaluation system | Contact \]](#)

## Products - IP Database :

1. [Microcontrollers / Processors](#)
2. [USB Controllers](#)
3. [Memory Controllers](#)
4. [Ethernet MAC Controllers](#)
5. [Display Controllers](#)
6. [Data Communication](#)
7. [Audio transmission](#)
8. [Serial Bus Interfaces](#)
9. [DSP & Numeric Coprocessors](#)

### 1. Microcontrollers / Processors :

**Notes :**  
 For each product, please refer to the tables below.  
 For more information, please contact us thanks to the link at the end of the page.  
 Several versions are available, not listed in the table.

--	Part #	Item	IP Datasheet
<b>8051 Microcontrollers</b>			
	<a href="#">R8051XC2</a>	The world's fastest, user configurable 8-bit microcontroller that is instruction set compatible to Intel 8051 microcontrollers. The controller achieves up to 12.1 times higher performance rates than the original chip when working at the same clock frequency.	<a href="#">On request</a>
	<a href="#">T8051</a>	Derived from the successful R8051XC architecture, the T8051 is the world's smallest 8051 ISA-compliant IP core. Its CPU with less than 3.000 gates easily serves as a replacement for hard-coded control.	<a href="#">On request</a>
<b>Software Drivers</b>			
	<a href="#">EASE-8051</a>	Evatronix Application-debugging Support Environment for the R8051XC2/T8051 Microcontrollers.	
<b>80186 Microcontrollers</b>			



# Monthly Webinars



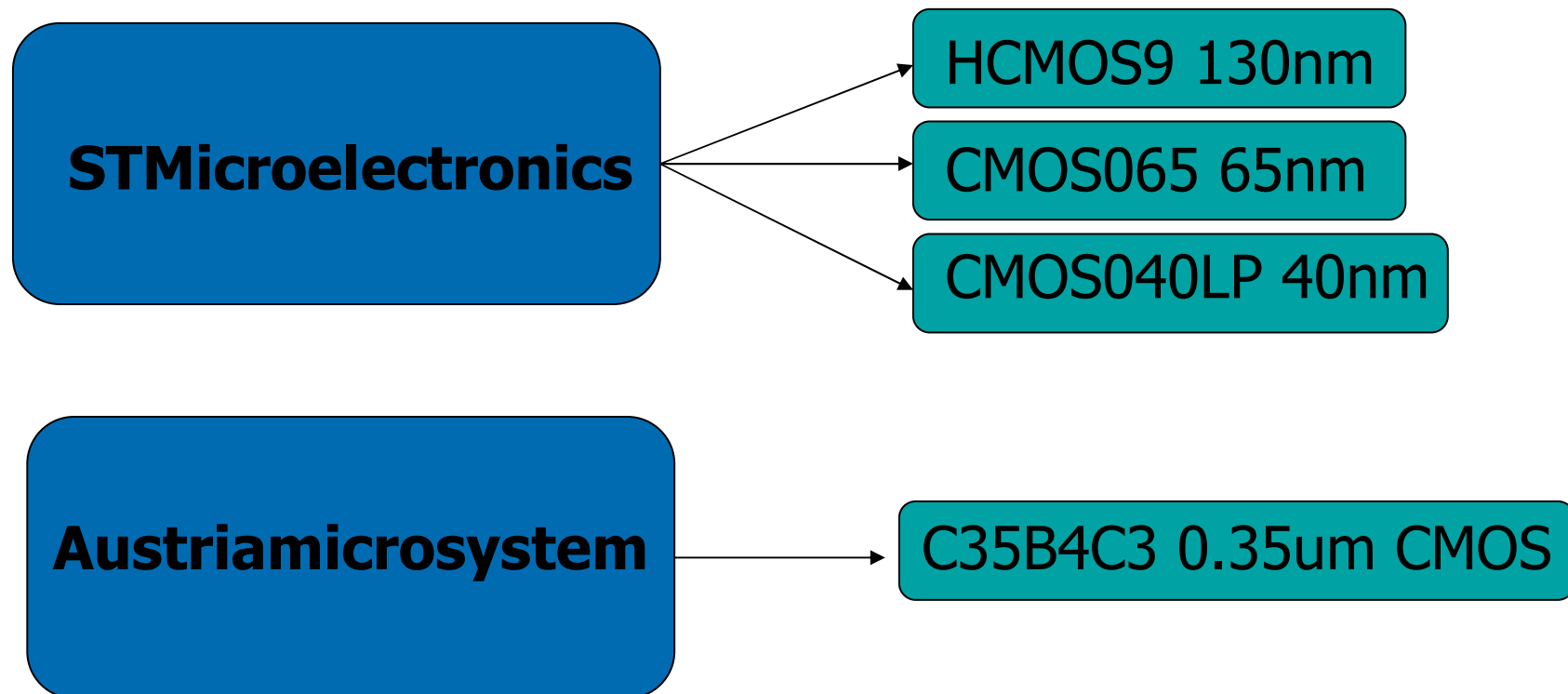
In 2011 Evatronix will organize Webinars every months

How to join the webinar :

- Schedule on CMP's Web site
  - Content of the following Webinar
  - Invitation
- By Newsletter

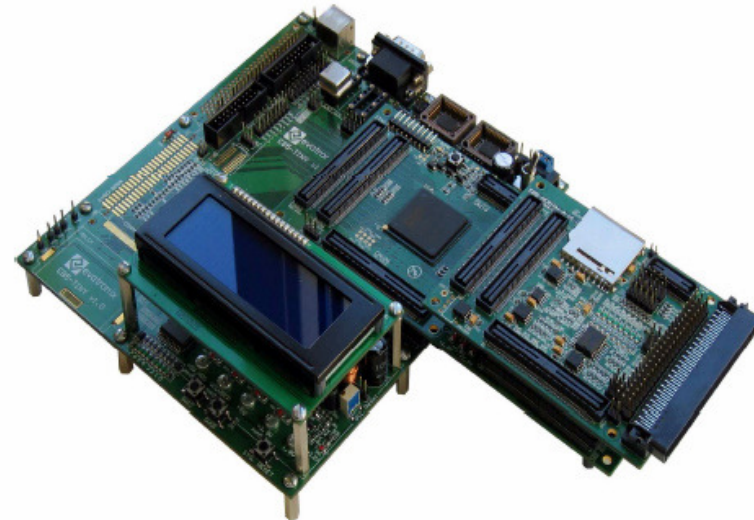
IPs are available as firm core, for implementation in your design

Several technologies are available :



## Deliverables

- ◆ Hardware
  - The EB5-Tiny Evaluation Board - main board with embedded loader circuit, 2MB of SRAM and up to 1MB of FLASH, signaling LEDs, LCD module, user keyboard, single RS232 channel, PS2 connector, HDD interface and CF interface
  - FPGA Adapter with a Xilinx Spartan3-1500 device
  - Evatronix Debug Pod (EDP)
  - All required cables
  - Power supply
- ◆ Software
  - MCS file with an implementation of the R8051XC2 microcontroller for the Xilinx Spartan-3 1500 FPGA
  - EDIk51-3 – software plug-in for Keil™  $\mu$ Vision 8051 Software Development Tools
  - JTAG Downloader - a PC utility for downloading software without using the Keil™ IDE
- ◆ Documentation



All Evatronix IPs are available on evaluation version  
 For 30 days  
 (Netlist and Simulation library)



CNRS – INPG – UJF



Chapitre  
Français



Section  
France

# Thank you for your attention, any questions ?

To get more information about the partnership with Evatronix, refer to our web site below

<http://cmp.imag.fr/products/cad/?p=evatronix>